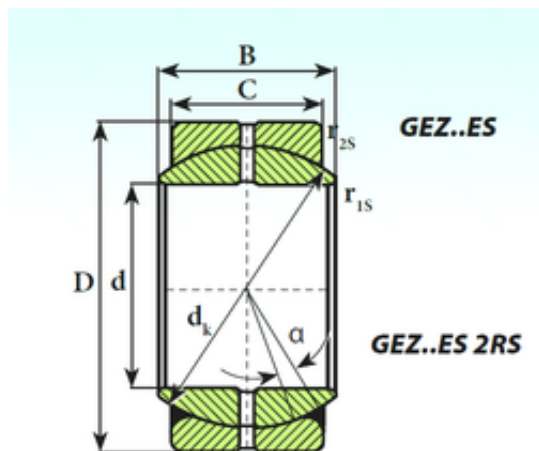




# MANUFACTURING MEXICO,S.A.DE C.V.



GEZ 63 ES Bearing 2D drawings and 3D CAD models

63,5 mm x 100,01 mm x 55,55 mm ISB GEZ 63 ES plain bearings

Bearing No. GEZ 63 ES

Size	63.5x100.01x55.55 mm
Bore Diameter	63,5 mm
Outer Diameter	100,01 mm
Width	55,55 mm
d	63,5 mm
D	100,01 mm
B	55,55 mm
C	47,62 mm
dk	92 mm
r1 min.	1 mm
r2 min.	1 mm
Angle	6 °
Weight	1,8 Kg
Basic dynamic load rating (C)	355 kN