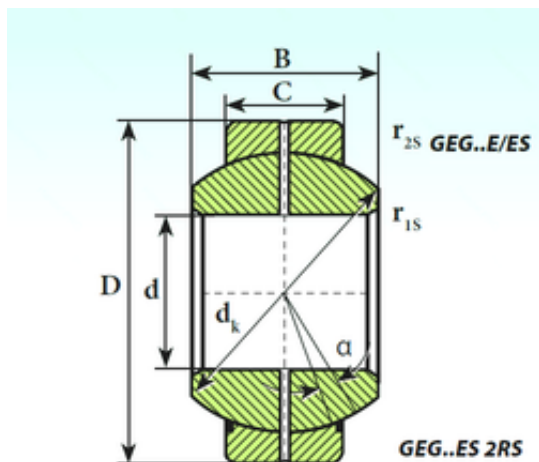




# MANUFACTURING MEXICO,S.A.DE C.V.



60 mm x 105 mm x 63 mm ISB GEG 60 ES plain bearings

Bearing No. GEG 60 ES

Size	60x105x63 mm
Bore Diameter	60 mm
Outer Diameter	105 mm
Width	63 mm
d	60 mm
D	105 mm
B	63 mm
C	40 mm
dk	92 mm
r1 min.	1 mm
r2 min.	1 mm
Angle	17 °
Weight	2 Kg
Basic dynamic load rating (C)	315 kN

GEG 60 ES Bearing 2D drawings and 3D CAD models