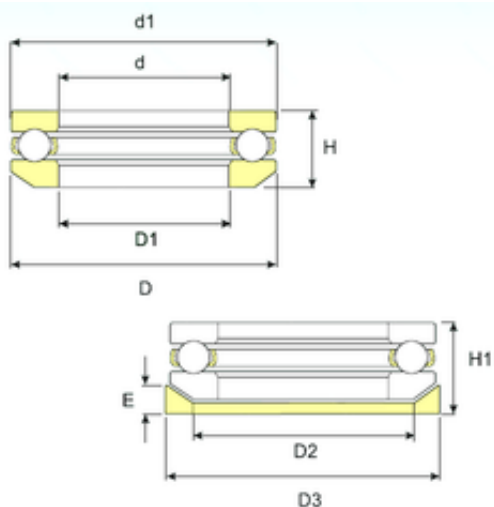




MANUFACTURING MEXICO,S.A.DE C.V.



ISB 53217 U 217 thrust ball bearings

Bearing No. 53217 U 217

Size	85x125x33.1 mm
Bore Diameter	85 mm
Outer Diameter	125 mm
Width	33,1 mm
d	85 mm
D	125 mm
H	33,1 mm
d1	125 mm
D1	88 mm
D2	105 mm
D3	130 mm
E	11 mm
H1	37 mm
Weight	1,5 Kg
Basic dynamic load rating (C)	96 kN
Basic static load rating (C0)	270 kN
(Grease) Lubrication Speed	2295 r/min

53217 U 217 Bearing 2D drawings and 3D CAD models