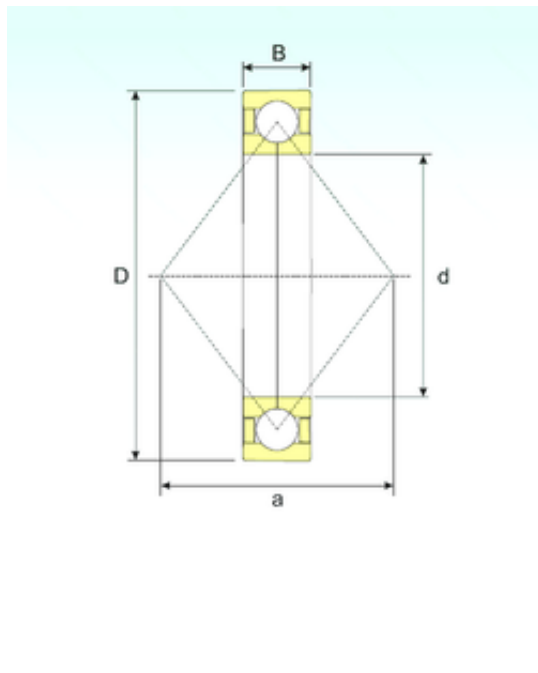




MANUFACTURING MEXICO,S.A.DE C.V.



QJ 1248 Bearing 2D drawings and 3D CAD models

240 mm x 440 mm x 85 mm ISB QJ 1248 angular contact ball bearings

Bearing No. QJ 1248

Size	240x440x85 mm
Bore Diameter	240 mm
Outer Diameter	440 mm
Width	85 mm
d	240 mm
D	440 mm
B	85 mm
C	85 mm
a	340 mm
Weight	61 Kg
Basic dynamic load rating (C)	663 kN
Basic static load rating (C0)	950 kN
(Grease) Lubrication Speed	1000 r/min