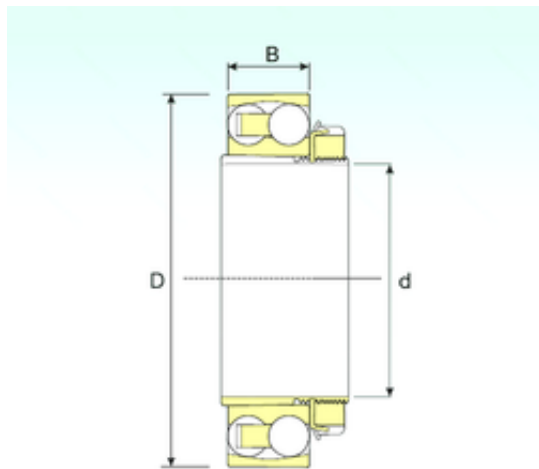




MANUFACTURING MEXICO,S.A.DE C.V.



70 mm x 140 mm x 26 mm ISB 1216 K+H216
self aligning ball bearings

Bearing No. 1216 K+H216

Size	70x140x26 mm
Bore Diameter	70 mm
Outer Diameter	140 mm
Width	26 mm
d	70 mm
D	140 mm
B	26 mm
B1	46 mm
C	26 mm
Weight	2,4 Kg
Basic dynamic load rating (C)	38,9 kN
Basic static load rating (C0)	16,7 kN
(Grease) Lubrication Speed	4590 r/min

1216 K+H216 Bearing 2D drawings and 3D CAD models