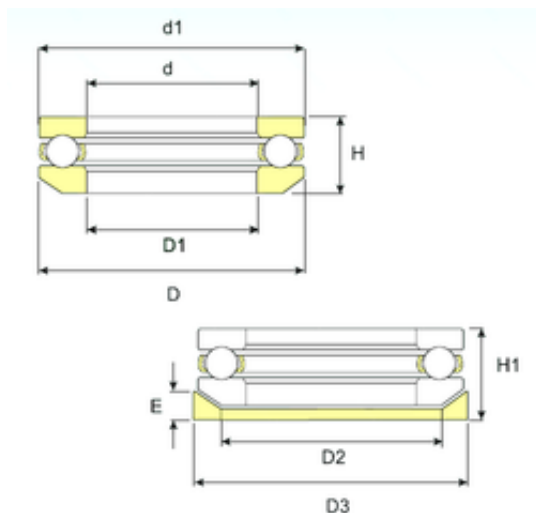




MANUFACTURING MEXICO,S.A.DE C.V.



ISB 53411 U 411 thrust ball bearings

Bearing No. 53411 U 411

Size	55x120x50.5 mm
Bore Diameter	55 mm
Outer Diameter	120 mm
Width	50,5 mm
d	55 mm
D	120 mm
H	50,5 mm
d1	120 mm
D1	57 mm
D2	88 mm
D3	125 mm
E	15,5 mm
H1	55 mm
Weight	3,08 Kg
Basic dynamic load rating (C)	174 kN
Basic static load rating (C0)	382 kN
(Grease) Lubrication Speed	1836 r/min

53411 U 411 Bearing 2D drawings and 3D CAD models