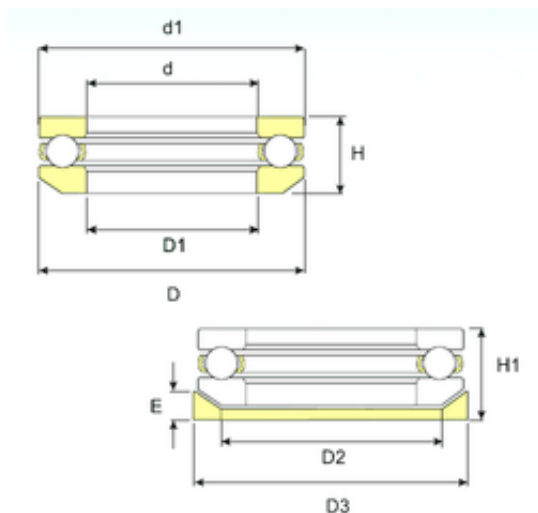




# MANUFACTURING MEXICO,S.A.DE C.V.



## ISB 53209 U 209 thrust ball bearings

Bearing No. 53209 U 209

Size	45x73x21.3 mm
Bore Diameter	45 mm
Outer Diameter	73 mm
Width	21,3 mm
d	45 mm
D	73 mm
H	21,3 mm
d1	73 mm
D1	47 mm
D2	60 mm
D3	78 mm
E	7,5 mm
H1	24 mm
Weight	0,39 Kg
Basic dynamic load rating (C)	38 kN
Basic static load rating (C0)	85 kN
(Grease) Lubrication Speed	3825 r/min

53209 U 209 Bearing 2D drawings and 3D CAD models