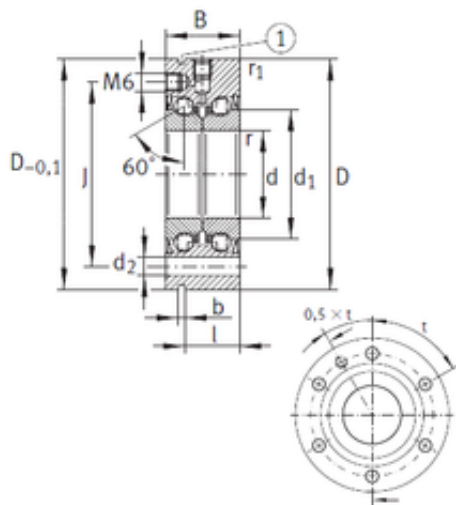




MANUFACTURING MEXICO, S.A. DE C.V.



12 mm x 55 mm x 25 mm INA ZKLF1255-2Z
thrust ball bearings

Bearing No. ZKLF1255-2Z

ZKLF1255-2Z Bearing 2D drawings and 3D CAD models

Size	12x55x25 mm
Bore Diameter	12 mm
Outer Diameter	55 mm
Width	25 mm
d	12 mm
D	55 mm
B	25 mm
C	25 mm
Screw	3
l	17 mm
Angle (?)	60 °
b	3 mm
d1	25 mm
d2	6,8 mm
r min.	0,3 mm
r1 min.	0,6 mm
J	42 mm
Bolt (G)	M6
Weight	0,37 Kg
Basic dynamic load rating (C)	16,9 kN
Basic static load rating (C0)	24,7 kN
Category	Angular Contact Ball Bearings
Inventory	1.0
Manufacturer Name	SCHAEFFLER GROUP



MANUFACTURING MEXICO,S.A.DE C.V.

Minimum Buy Quantity	N/A
Weight / Kilogram	0.443
Product Group	B00152
Enclosure	2 Metal Shields
Flush Ground	No
Rolling Element	Ball Bearing
Number of Rows of Balls	Double Row
Precision Class	ABEC 1 ISO P0
Maximum Capacity / Filling Slot	No
Snap Ring	Yes
Cage Material	Plastic
Contact Angle	60 Degree
Internal Clearance	C0-Medium
Number of Bearings	1 (Single)
Inch - Metric	Metric
Long Description	12MM Bore; 55MM Outside Diameter; 25MM Width; 2 Metal Shields; No Flush Ground; Ball Bearing; Double Row of Balls; ABEC 1 ISO P0; No Filling Slot; Yes Snap Ring; C0-Medium; Plastic Cage; 60 Degree;
Other Features	With Fixing Holes With Snap Ring Groove
Category	Angular Contact Ball Bearing
UNSPSC	31171531
Harmonized Tariff Code	8482.10.50.28
Noun	Bearing
Keyword String	Angular Contact
Manufacturer URL	http://www.ina.com
Weight / LBS	0.9768
Bore	0.472 Inch 12 Millimeter



MANUFACTURING MEXICO,S.A.DE C.V.

Width	0.984 Inch 25 Millimeter
Outside Diameter	2.165 Inch 55 Millimeter