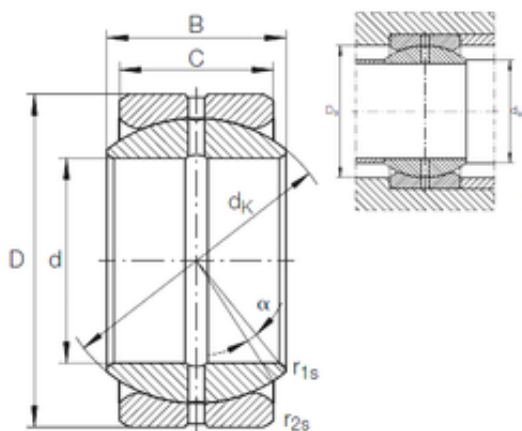




MANUFACTURING MEXICO,S.A.DE C.V.



50,8 mm x 80,963 mm x 44,45 mm INA GE 50 ZO plain bearings

Bearing No. GE 50 ZO

Size	50.8x80.963x44.45 mm
Bore Diameter	50,8 mm
Outer Diameter	80,963 mm
Width	44,45 mm
d	50,8 mm
D	80,963 mm
B	44,45 mm
C	38,1 mm
dk	73 mm
r1 min.	0,6 mm
r2 min.	1 mm
da max	57,9 mm
Da min	65 mm
Angle	6 °
Weight	0,92 Kg
Basic dynamic load rating (C)	222 kN

GE 50 ZO Bearing 2D drawings and 3D CAD models