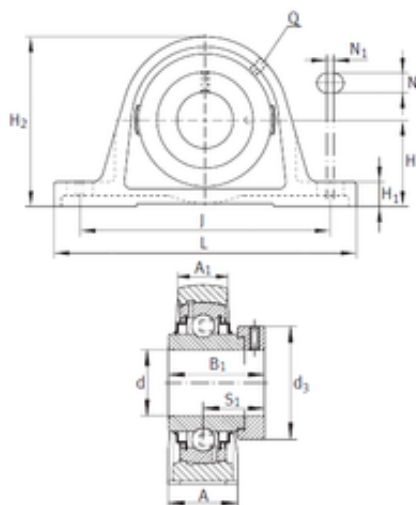




MANUFACTURING MEXICO,S.A.DE C.V.



INA RAK1-1/4-206 bearing units

Bearing No. RAK1-1/4-206

Bore Diameter	31.75 mm
d	31.75 mm
S1	30,201 mm
Thread (Q)	1/8 NPT
d3	43,993 mm
A	41,504 mm
A1	26,01 mm
B	48,489 mm
H	39,701 mm
H1	16,993 mm
H2	80,493 mm
J	117,247 mm
L	157,15 mm
N	15,012 mm
N1	8,459 mm
Category	Pillow Block Bearings
Inventory	0.0
Manufacturer Name	SCHAEFFLER GROUP
Minimum Buy Quantity	N/A
Weight / Kilogram	1.25
Product Group	M06110
Number of Mounting Holes	2
Mounting Method	Eccentric Collar
Housing Style	2 Bolt Pillow Block
Rolling Element	Ball Bearing
Housing Material	Cast Iron

RAK1-1/4-206 Bearing 2D drawings and 3D CAD models



MANUFACTURING MEXICO,S.A.DE C.V.

Expansion / Non-expansion	Non-expansion
Relubricatable	Yes
Insert Part Number	G1104206KRRBAS2/V
Seals	Double Land Riding Rubber Contact
Housing Configuration	1 Piece Solid
Inch - Metric	Inch
Other Features	Single Row Low Base With Set Screw
Long Description	2 Bolt Pillow Block; 1-1/4" Bore; 1-9/16" Base to Center Height; Eccentric Collar Mount; Ball Bearing; Relubricatable; Cast Iron; Double Land Riding Rubber Contact; Non-expansion
Category	Pillow Block
UNSPSC	31171511
Harmonized Tariff Code	8483.20.40.40
Noun	Bearing
Keyword String	Pillow Block
Manufacturer URL	http://www.ina.com
Manufacturer Item Number	RAK1-1/4-206
Weight / LBS	2.76
Bolt Spacing Minimum	0 Inch 0Millimeter
Bolt Spacing Maximum	0 Inch 0Millimeter
Bore	1.25 Inch 31.75 Millimeter
Actual Bolt Center to Center	4.6 Inch 117.5Millimeter
Nominal Bolt Center to Center	4.8 Inch 121 Millimeter
Length Thru Bore	1.909 Inch 48.489 Millimeter
Base to Center Height	1.563 Inch 39.7 Millimeter