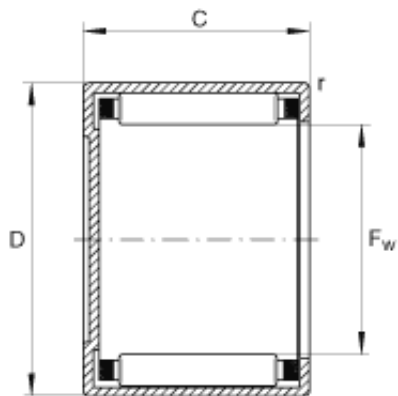




MANUFACTURING MEXICO,S.A.DE C.V.



INA BCE44 needle roller bearings

Bearing No. BCE44

Size	6.35x11.112x6.35 mm
Bore Diameter	6,35 mm
Outer Diameter	11,112 mm
Width	6,35 mm
F_w	1/4 inch
F_w	6,35 mm
D	0,437 inch
D	11,112 mm
C	0,25 inch
C	6,35 mm
m	0,005 lbs / Weight
m	2 g / Weight
C_r	360 lbf / Dynamic load rating (radial)
C_r	1600 N / Dynamic load rating (radial)
C_{Or}	260 lbf / Static load rating (radial)
C_{Or}	1170 N / Static load rating (radial)
n_G	35000 1/min / Limiting speed
n_B	26000 1/min / Reference speed
Category	Bearings
Inventory	0.0
Manufacturer Name	SCHAEFFLER GROUP
Minimum Buy Quantity	N/A

BCE44 Bearing 2D drawings and 3D CAD models



MANUFACTURING MEXICO,S.A.DE C.V.

Weight / Kilogram	0.008
Product Group	B04144