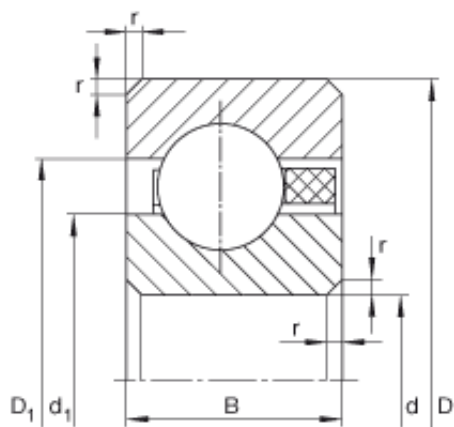




MANUFACTURING MEXICO,S.A.DE C.V.

1 inch x 34,925 mm x 4,763 mm INA
CSCAA010-TV deep groove ball bearings

Bearing No. CSCAA010-TV



CSCAA010-TV Bearing 2D drawings and 3D CAD models

Size	25.4x34.925x4.763 mm
Bore Diameter	25,4 mm
Outer Diameter	34,925 mm
Width	4,763 mm
d	25,4 mm
d	1 inch
D	34,925 mm
B	4,763 mm
D ₁	31,4 mm
d ₁	29 mm
r _{min}	0,38 mm
m	0,01 kg / Weight
C _r	1790 N / Dynamic load rating (radial)
C _{0r}	1080 N / Static load rating (radial)