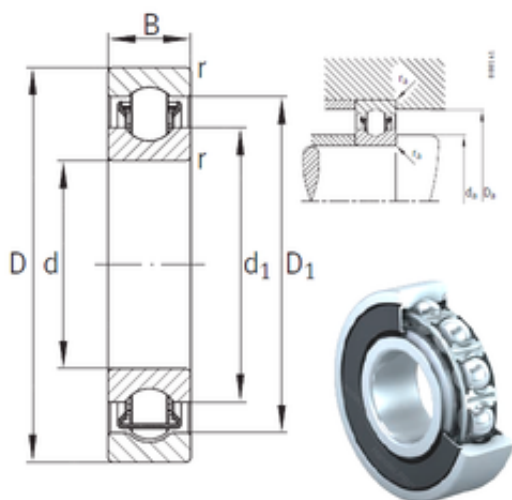




MANUFACTURING MEXICO,S.A.DE C.V.



17 mm x 47 mm x 14 mm INA BXRE303-2HRS
needle roller bearings

Bearing No. BXRE303-2HRS

Size	17x47x14 mm
Bore Diameter	17 mm
Outer Diameter	47 mm
Width	14 mm
d	17 mm
D	47 mm
B	14 mm
C	14 mm
d1	27,6 mm
r min.	1 mm
D1	37,7 mm
da min.	22,6 mm
Da max.	41,4 mm
ra max.	1 mm
Weight	0,122 Kg
Basic dynamic load rating (C)	19,7 kN
Basic static load rating (C0)	11,1 kN
Fatigue load limit (Pu)	560

BXRE303-2HRS Bearing 2D drawings and 3D CAD models