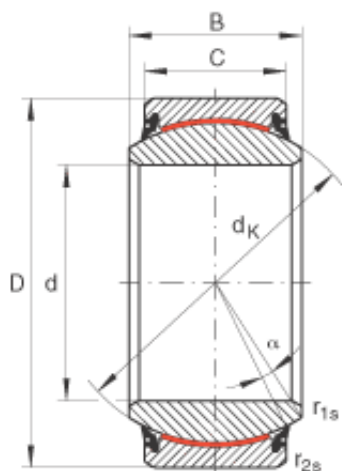




MANUFACTURING MEXICO,S.A.DE C.V.



INA GE180-UK-2RS plain bearings

Bearing No. GE180-UK-2RS

Size	180x260x105 mm
Bore Diameter	180 mm
Outer Diameter	260 mm
Width	105 mm
C	80 mm
$D_{a \min}$	219 mm
$d_{a \max}$	198,9 mm
d_K	225 mm
$r_{1s \min}$	1,1 mm
$r_{2s \min}$	1,1 mm
alf (°)	6
Weight (kg)	17,4
C_r (N)	4320000
C_{Or} (N)	7200000
Category	Spherical Plain Bearings - Radial
Inventory	0.0
Manufacturer Name	SCHAEFFLER GROUP
Minimum Buy Quantity	N/A
Weight / Kilogram	21.962
EAN	4012802532210
Product Group	B04264
Self Aligning	Yes
Rolling Element	Spherical Plain
Material - Outer Member	Steel
Material - Ball	Steel

GE180-UK-2RS Bearing 2D drawings and 3D CAD models



MANUFACTURING MEXICO,S.A.DE C.V.

Material - Liner	Teflon
Relubricatable	No
Enclosure	2 Seals
Other Features	2 Piece Axially Split Outer Ring
Long Description	180MM Bore; 80MM Housing Width; 260MM Outside Diameter; Spherical Plain; Steel Outer Member; Steel Ball; Teflon Liner; 105MM Overall Width; Not Relubricatable
Inch - Metric	Metric
Category	Plain Bearings Spherical Radial
UNSPSC	31171515
Harmonized Tariff Code	8483.30.80.70
Noun	Bearing
Keyword 3	Spherical
Keyword String	Plain Spherical Radial
Manufacturer URL	http://www.ina.com
Manufacturer Item Number	GE180UK2RS
Weight / LBS	40.79
Outside Diameter	10.236 Inch 260 Millimeter
Overall Width	4.134 Inch 105 Millimeter
Bore	7.087 Inch 180 Millimeter
Housing Width	3.15 Inch 80 Millimeter