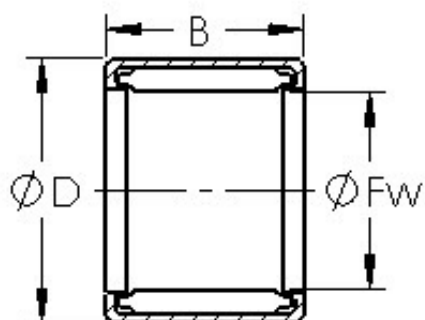




MANUFACTURING MEXICO,S.A.DE C.V.



AST S55 needle roller bearings

Bearing No. S55

Bore Diameter	7,9502 mm
Outer Diameter	12,7 mm
Width	7,9502 mm
Bearing Type	Full Complement, Mechanically Retained Rollers
Outer Dia (D)	0.5000
Width (B)	0.3130
Dynamic Load Rating (Cr)	940
Static Load Rating (Cor)	1,100
Max Speed (Grease) (X1000 RPM)	12,500
Shaft (Fw)	0.313
Weight (g)	3.00
Material - Drawn cup: Hardened carbon steel alloy, Rollers	52100 Chrome steel or equivalent

S55 Bearing 2D drawings and 3D CAD models