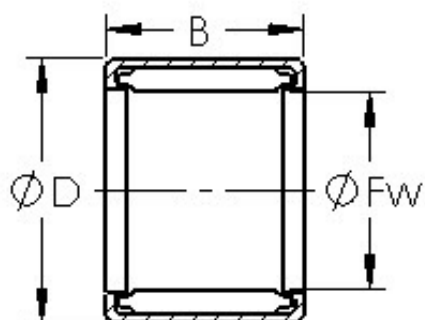




MANUFACTURING MEXICO,S.A.DE C.V.



AST S2812 needle roller bearings

Bearing No. S2812

Bore Diameter	44,45 mm
Outer Diameter	53,975 mm
Width	19,05 mm
Bearing Type	Full Complement, Mechanically Retained Rollers
Outer Dia (D)	2.1250
Width (B)	0.7500
Dynamic Load Rating (Cr)	8,100
Static Load Rating (Cor)	16,900
Max Speed (Grease) (X1000 RPM)	2,490
Shaft (Fw)	1.750
Weight (g)	80.00
Material - Drawn cup: Hardened carbon steel alloy, Rollers	52100 Chrome steel or equivalent

S2812 Bearing 2D drawings and 3D CAD models